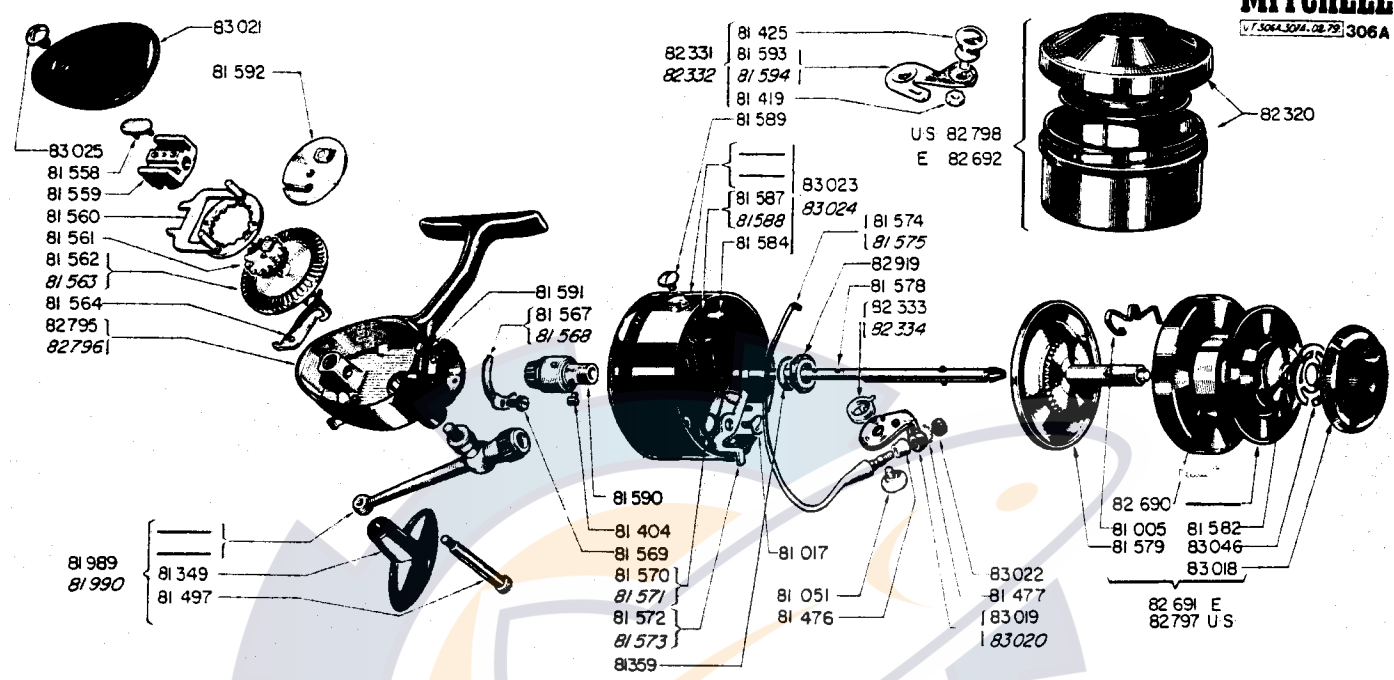


**MITCHELL**  
 V. 306A.307A.02.79 306A



CODE NO.	DESCRIPTION	SUGGESTED RETAIL	CODE NO.	DESCRIPTION	SUGGESTED RETAIL
81005	Click Spring	.40	81591	Bail Trip	.60
81017	Trip Lever Screw	.25	81592	Cross Wind Cam	1.70
81051	Bail Screw N 1	.60	81593	Manual Pick Up Mount	3.50
81349	Handle Knob	1.75	81594	Manual Pick Up Mount	3.50
81359	Hex Nut Lock Washer	.40	81989	Handle Complete	6.15
81404	Key	.25	81990	Handle Complete	6.15
81419	Line Guide Lock Nut	.25	82320	Spool Container	3.50
81425	Manual Roller Guide	5.90	82331	Manual Pick Up	8.85
81476	Roller Line Guide	1.10	82332	Manual Pick Up	8.85
81477	Bail Wire Lock Washer	.25	82333	Bail Spring	.45
81497	Handle Knob Screw	1.70	82334	Bail Spring	.45
81558	Oscillation Slide Lock	1.05	82690	Spool Arbor	.85
81559	Oscillation Slide	.85	82691	Spool Standard	7.10
81560	Cam Ring Assembly	3.00	*82692	Spool Complete w/ Arbor/Container	7.10
81561	Planamatic Gear	2.40	82795	Housing	18.70
81562	Drive Gear	13.05	82796	Housing	18.70
81563	Drive Gear	13.05	82797	Spool Standard	7.95
81564	Anti Reverse Dog	1.10	*82798	Spool Complete w/ Container	7.95
81567	Anti Inertia Brake	.65	82919	Hex Nut	.60
81568	Anti Inertia Brake	.65	83018	Drag Adjusting Knob	1.65
81569	Anti Inertia Brake Screw	.25	83019	Bail Wire Mount	3.00
81570	Trip Lever Spring	.60	83020	Bail Wire Mount	3.00
81571	Trip Lever Spring	.60	83021	Cover Plate + Screw	1.65
81572	Trip Lever	1.75	83022	Bail Wire Lock Nut	.50
81573	Trip Lever	1.75	83023	Rotating Head	11.60
81574	Bail Wire	8.85	83024	Rotating Head	11.60
81575	Bail Wire	8.85	83025	Cover Plate Screw	.80
81578	Axle	4.70	83046	Drag Washer	.85
81579	Spindle	3.50			
81582	Drag Bearing	.65			
81584	Counterweight Screw	.25			
81587	Counterweight	1.70			
81588	Counterweight	1.70			
81589	Bail Screw N 2	.45			
81590	Pinion Gear Bushing Assembly	10.05			

\*When present inventory is depleted, this part will be replaced by another number. Please refer to chart in back of book.